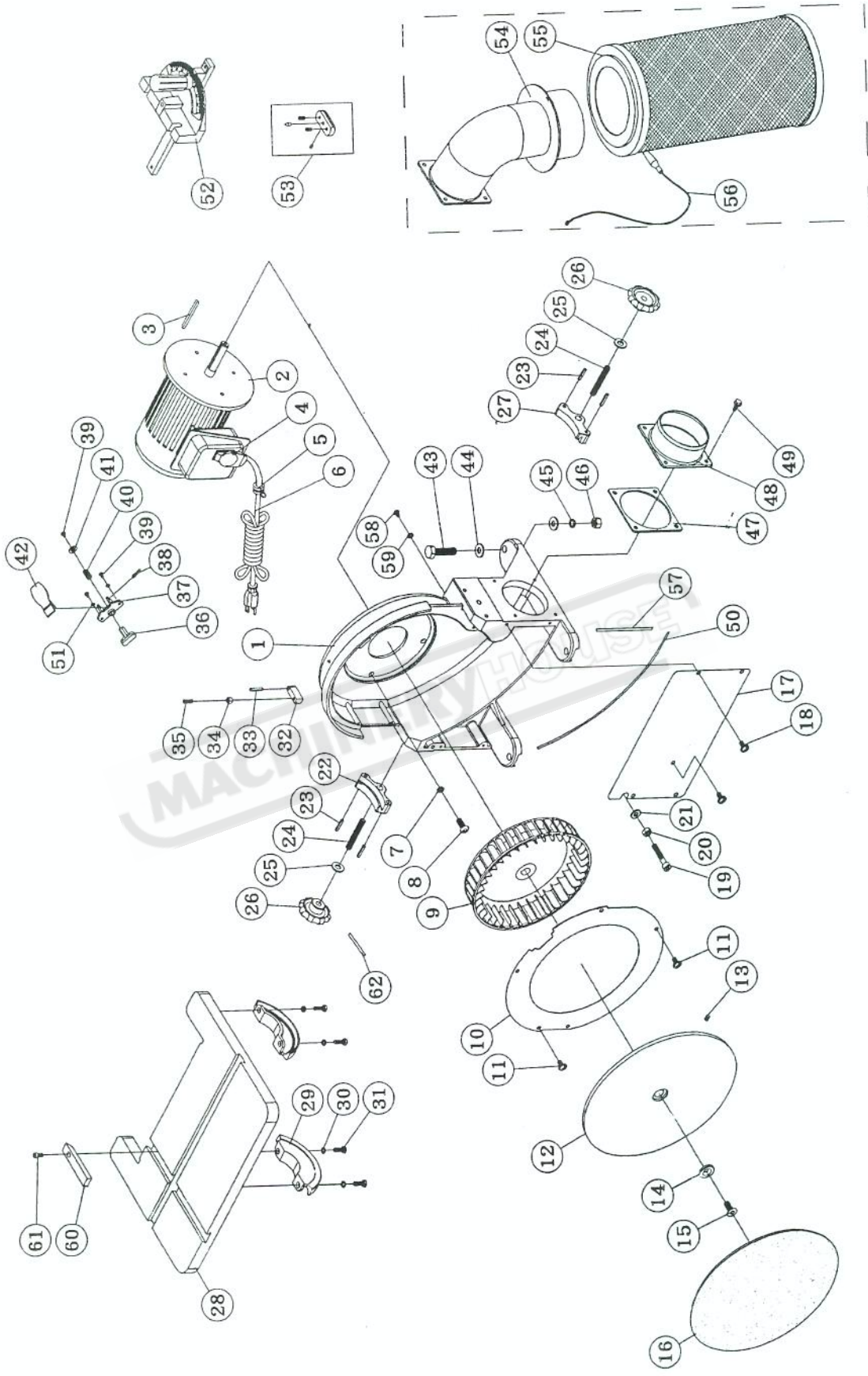


Disc Sander Breakdown



Parts List For The DS-12H Disc Sander

Index No.	Description	Size	Qty
1.....	Guard Base		1
2.....	Motor.....		1
.....	Motor Fan Cover (not shown)		1
.....	Motor Fan (not shown).....		1
.....	Centrifugal Switch (not shown)		1
.....	Capacitor Cover (not shown)		1
.....	Junction Box Cover (not shown)		1
.....	Starting Capacitor (not shown).....		
.....	Running Capacitor (not shown).....		
3.....	Key.....	5x5x65	1
4.....	On/Off Switch.....		1
5.....	Strain Relief.....		1
6.....	Power Cord		1
7.....	Spring Washer	M8	4
8.....	Pan Head Socket Bolt.....	M8x20	4
9.....	Fan Blade.....	9"	1
10.....	Partition.....		1
11.....	Pan Head Bolt w/Flange	M6x8	5
12.....	Sanding Disc		1
13.....	Set Screw.....	M6x8	1
14.....	Washer		1
15.....	Countersunk Head Bolt.....	M8x16	1
16.....	12" Disc Sanding Paper		1
17.....	Front Cover		1
18.....	Pan Head Bolt w/Flange	M6x8	5
19.....	Socket Head Cap Screw.....	M8x35	1
20.....	Hex Nut.....	M8	1
21.....	Flat Washer.....	M8	1
22.....	Trunnion Holder (A)		1
23.....	Spring Pin.....	6x	4
24.....	Set Screw.....	M8x60	2
25.....	Flat Washer.....	M8	2
26.....	Knob		2
27.....	Trunnion Holder (B)		1
28.....	Table.....	40	1
29.....	Trunnion		2
30.....	Lock Washer	M8	4
31.....	Hex Head Bolt	M8x16	4
32.....	Locating Block.....		1
33.....	Spring Pin.....	5x36	1
34.....	Hex Nut	M6	1
35.....	Set Screw.....	M6x25	1
36.....	Brake		1
37.....	Brake Fixed Base		1
38.....	Spring Pin.....	4x20	1
39.....	Pan Head Bolt	M4x10	3

Index No.	Description	Size	Qty
40	Spring		1
41	Flat Washer	M5	1
42	Stop Handle		1
43	Hex Head Bolt	M 8 x40	4
44	Flat Washer	M 8 x20	8
45	Lock Washer	M 8	4
46	Hex Nut	M 8	4
47	Packing		1
48	Inlet	4"	1
49	Hex Head Bolt	M6x16	4
50	Sponge		1
51	Lock Washer	M4	2
52	Miter Gauge Assembly		1
53	Circle Gauge Assembly (ASM)		1
57	Sponge Gasket		1
58	Pan Head Bolt	M5x8	1
59	Star Washer	M5	1
60	Filler Bar		1
61	Socket Head Cap Screw	M5x8	1
54	612147 Elbow		1
55	331022 Filter		1
56	331033 Grounding Clip		1